



archiproducts
DESIGN AWARDS
—
WINNER 2018

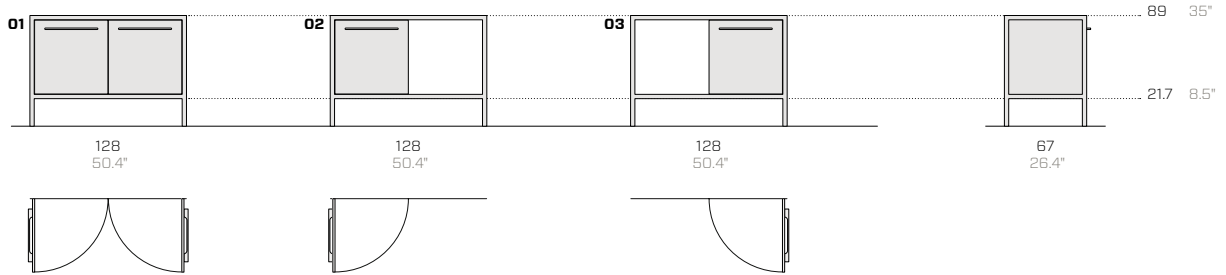
Frame

Kitchens & workbenches

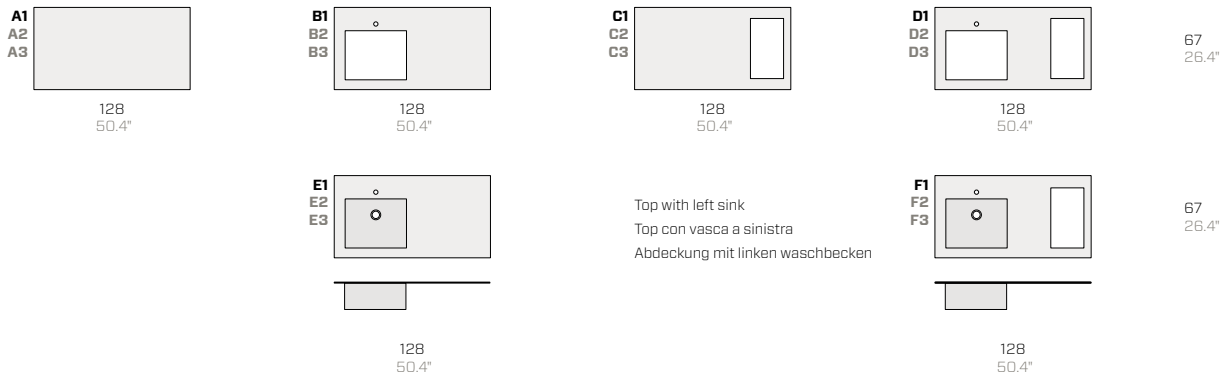
Salvatore Indriolo, 2018



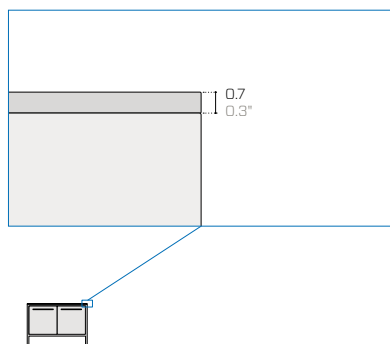
Bases / Basi / Basen



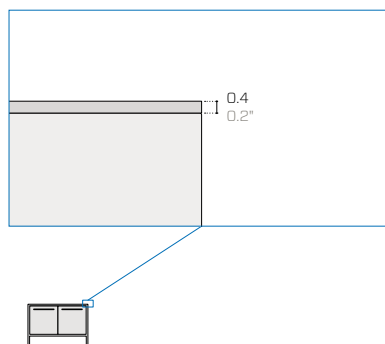
Top / Top / Abdeckung



Top thickness / Spessore dei top / Stärke der Abdeckung



Top made of Fenix
Top in Fenix
Abdeckung in Fenix

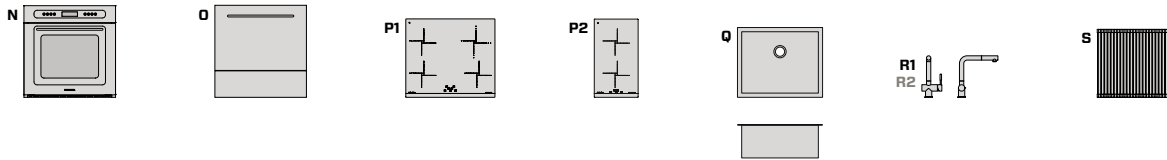


Stainless steel top
Top in acciaio
Top in Edelstahl

Product / Prodotto / Produkt				Packaging / Imballo / Verpackung			
No.	Code	Dimensions (w-d-h)	Weight	Dimensions (w-d-h)	Weight	Vol pkg	
N.	Codice	Dimensioni (l-p-h)	Peso	Dimensioni (l-p-h)	Peso	Vol. collo	
Nr.	Code	Abmessungen (b-t-h)	Gewicht	Abmessungen (b-t-h)	Gewicht	Vol. Kollo	
		cm	kg	cm	kg	mc	
Bases / Basi / Basen							
01	FR85	128 67 89	60	132 71 119	70	1.20	
02	FR84S	128 67 89	55	132 71 119	65	1.20	
03	FR84D	128 67 89	55	132 71 119	65	1.20	
Top made of Fenix / Top in Fenix / Abdeckung in Fenix							
A1	FRB21F	128 67 0.7	13	143 82 17	18	0.20	
B1	FRB22F	128 67 0.7	13	143 82 17	18	0.20	
C1	FRB23F	128 67 0.7	13	143 82 17	18	0.20	
D1	FRB24F	128 67 0.7	13	143 82 17	18	0.20	
E1	FRB25F	128 67 0.7	16	143 82 30	21	0.40	
F1	FRB26F	128 67 0.7	16	143 82 30	21	0.40	
Satin finish stainless steel top (Barazza) / Top in acciaio Inox satinato (Barazza) / Abdeckung in Edelstahl mit Satin-Finish (Barazza)							
A2	FRB31S	128 67 0.4	27	137 80 21	37	0.30	
B2	FRB32S	128 67 0.4	20	137 80 21	30	0.30	
C2	FRB33S	128 67 0.4	23	137 80 21	33	0.30	
D2	FRB34S	128 67 0.4	17	137 80 21	27	0.30	
E2	FRB35S	128 67 0.4	25	137 80 50	35	0.60	
F2	FRB36S	128 67 0.4	22	137 80 50	32	0.60	
Vintage finish stainless steel top (Barazza) / Top in acciaio Inox Vintage (Barazza) / Top in Edelstahl mit Vintage-Finish (Barazza)							
A3	FRB41V	128 67 0.4	27	137 80 21	37	0.30	
B3	FRB42V	128 67 0.4	20	137 80 21	30	0.30	
C3	FRB43V	128 67 0.4	23	137 80 21	33	0.30	
D3	FRB44V	128 67 0.4	17	137 80 21	27	0.30	
E3	FRB45V	128 67 0.4	25	137 80 50	35	0.60	
F3	FRB46V	128 67 0.4	22	137 80 50	32	0.60	

The packaging details are for products that require assembly / I dati di imballo si riferiscono al prodotto smontato / Die Verpackungsdaten beziehen sich auf das unmontierte Produkt

Accessories / Accessori / Zubehör



N. Oven **O.** Dishwasher **P1-P2.** Induction hob **Q.** Basin **R1-R2.** Tap **S.** Roll-up draining mat.
N. Forno **O.** Lavastoviglie **P1-P2.** Piano a induzione **Q.** Vasca **R1-R2.** Rubinetto **S.** Griglia multiuso avvolgibile.
N. Backofen **O.** Geschirrspülmaschine **P1-P2.** Induktionskochfeld **Q.** Waschbecken **R1-R2.** Wasserhahn **S.** Aufrollbare Abtropfmatte.

Configuration examples and details / Esempi di configurazione e dettagli / Konfigurationsbeispiele und Details

